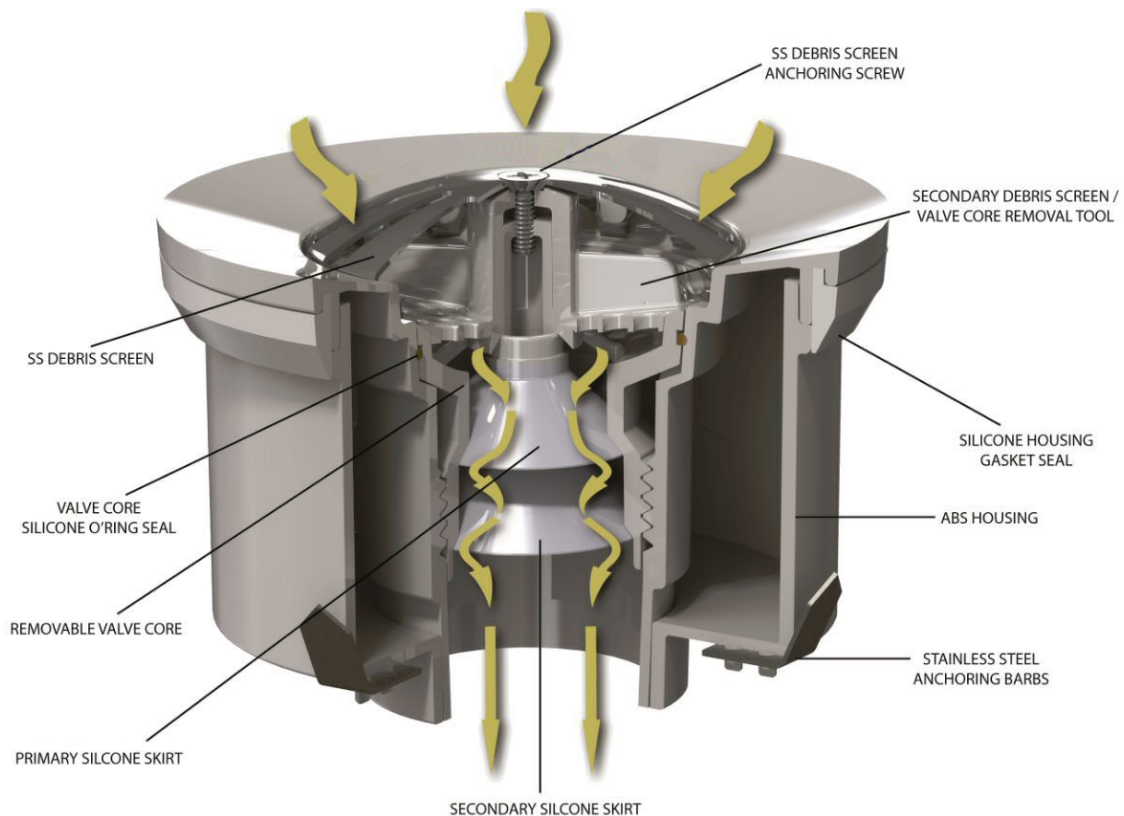


The **GW6fn** Waterless Urinal Cartridge

For waterless urinals that accept 118mm diameter cartridges, the GW6fn is a long-lasting alternative, tolerant of standard cleaning practices.

Key Benefits

- tolerant of commonly used chemicals, including milder acid-based cleaning products, as well as water
- replaceable valve core typically lasts for at least 6 months, often as long as a year
- unique dual valve technology for added protection against odours
- no special tools required
- simple push-fit housing and screw-in valve core
- housing can be easily removed and replaced, in the unlikely event of damage



For more details, please contact Stephen Vine.

email: stephen.vine@gentworks.co.uk

tel: +44 (0)1844 353 210

Gentworks Ltd
The Barn, Emmington
OX39 4AA, England

The **GW6fn** - Fitting and Maintenance

Simple, effective and easy to maintain.

Fitting

- Remove the existing waterless urinal cartridge
- Clean the waste drain
- Carefully push the GW6fn cartridge into place until level with the surface of the urinal.

Cleaning

- Clean urinal as normal
- Tolerant of standard cleaning chemicals but products containing strong acids, alkalis or chlorine should be avoided
- Can be flushed through with water, if desired

Waste pipe maintenance (optional)

- To keep the waste pipes clear for the long term, it is recommended to pour warm water with a recommended cleaning agent down the urinal every 2 to 4 weeks. Use of bleach or strong acids is not required and

Replacing the GW6 valve core

- After 6 months, or when odour is noticeable, the GW6 valve core needs replacing
- With a screwdriver, unscrew the stainless steel cap
- By hand, unscrew the used GW6 valve out of the GW6fn housing
- Clean the waste drain
- By hand, screw the new GW6 valve into the

