

Installation Instructions

for horizontal/concealed waste pipe (see next page for vertical/exposed version)

Type Cadet

by designer Troels Bøgely



Model: GHC-1

Material: glass fibre reinforced plastic (GFP)

Installation: horizontal

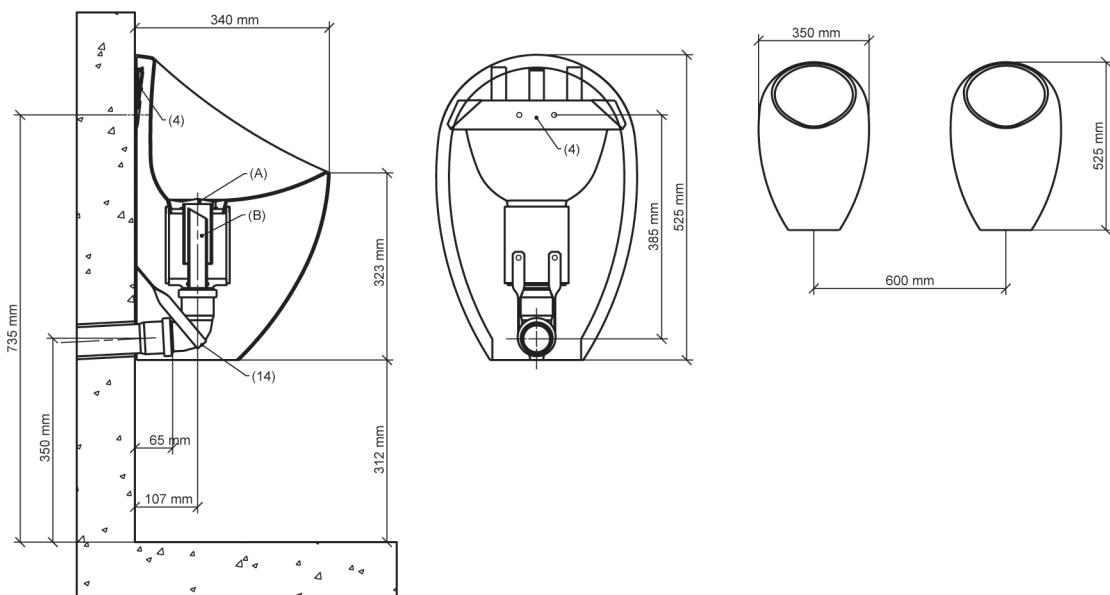
Installation of the uridan® water free urinals is very simple.

If you have earlier had water flush urinals, the drainpipe should be cleaned before installation of uridan® urinals. Ensure that existing sewer pipes are well cleaned and don't have pre-existing blockages.

uridan® urinals work without water, and therefore should only be connected with \varnothing 50 mm drainpipe. Installation should be carried out by authorized plumbers.

1. Install bracket no. (4). The urinal hangs on this bracket.
2. Install bracket no. (14). This bracket supports the elbow.
3. Make sure the correct distance of 107 mm from the wall to the centre of the pipe.
4. uridan® urinal should be held against the wall and slide the urinal down over the bracket no. (4) and ensuring the bottom of the waste trap is secure in the waste outlet.
5. Insert the small PVC pipe (B) in the water lock and afterwards fill the water lock with water.
6. Insert the stainless steel cover (A).
7. Then pour 1 bottle of 0,3 liter urilock® over the cover. **Important!** Never pour urilock® fluid before the stainless steel cover is insert.
8. Apply silicon sealant around the edge of the urinal - between the urinal and the wall.
9. The uridan® urinal is now ready for use!

Please leave customer care booklet, uriclean® cleaning detergent and hook with customer.



Installation Instructions

for vertical/exposed waste pipe (see prior page for horizontal/exposed version)

Type Cadet

by designer Troels Bøgely



Model: GVC-1

Material: glass fibre reinforced plastic (GFP)

Installation: vertical

Installation of the uridan® water free urinals is very simple.

If you have earlier had water flush urinals, the drainpipe should be cleaned before installation of uridan® urinals. Ensure that existing sewer pipes are well cleaned and don't have pre-existing blockages.

uridan® urinals work without water, and therefore should only be connected with \varnothing 50 mm drainpipe. Installation should be carried out by authorized plumbers.

1. Install bracket no. (4). The urinal hangs on this bracket.
2. Make sure the correct distance of 107 mm from the wall to the centre of the pipe.
3. uridan® urinal should be held against the wall and slide the urinal down over the bracket no. (4) and ensuring the bottom of the waste trap is secure in the waste outlet.
4. Insert the small PVC pipe (B) in the water lock and afterwards fill the water lock with water.
5. Insert the stainless steel cover (A).
6. Then pour 1 bottle of 0,3 liter urilock® over the cover. **Important!** Never pour urilock® fluid before the stainless steel cover is insert.
7. Apply silicon sealant around the edge of the urinal - between the urinal and the wall.
8. The uridan® urinal is now ready for use!

Please leave customer care booklet, uriclean® cleaning detergent and hook with customer.

